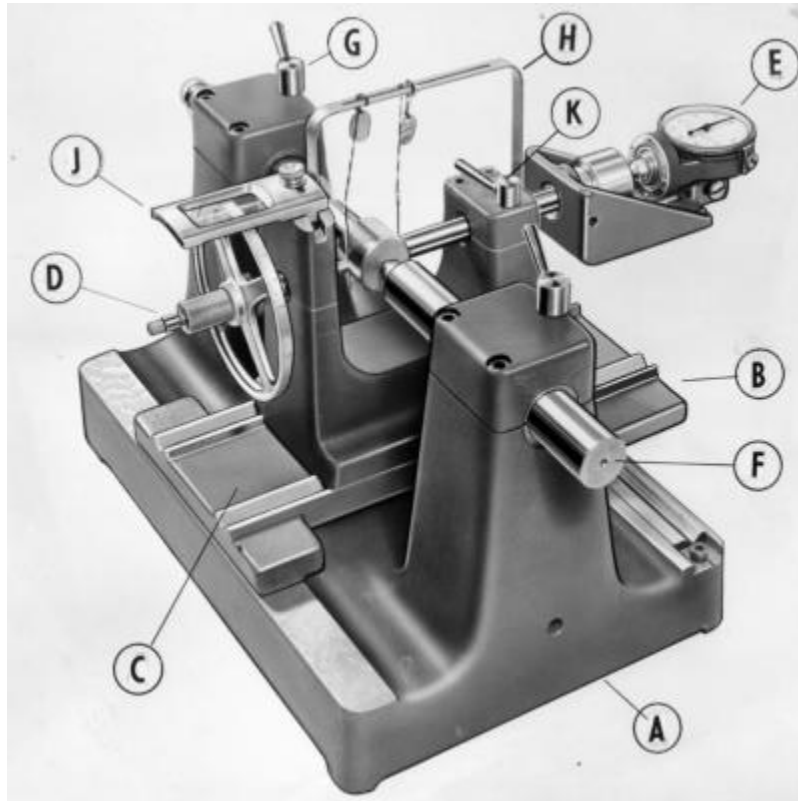


## GTD-Tools and Machinery – folder 2



**IDENTIFIER**  
GTD-3-26-14-068